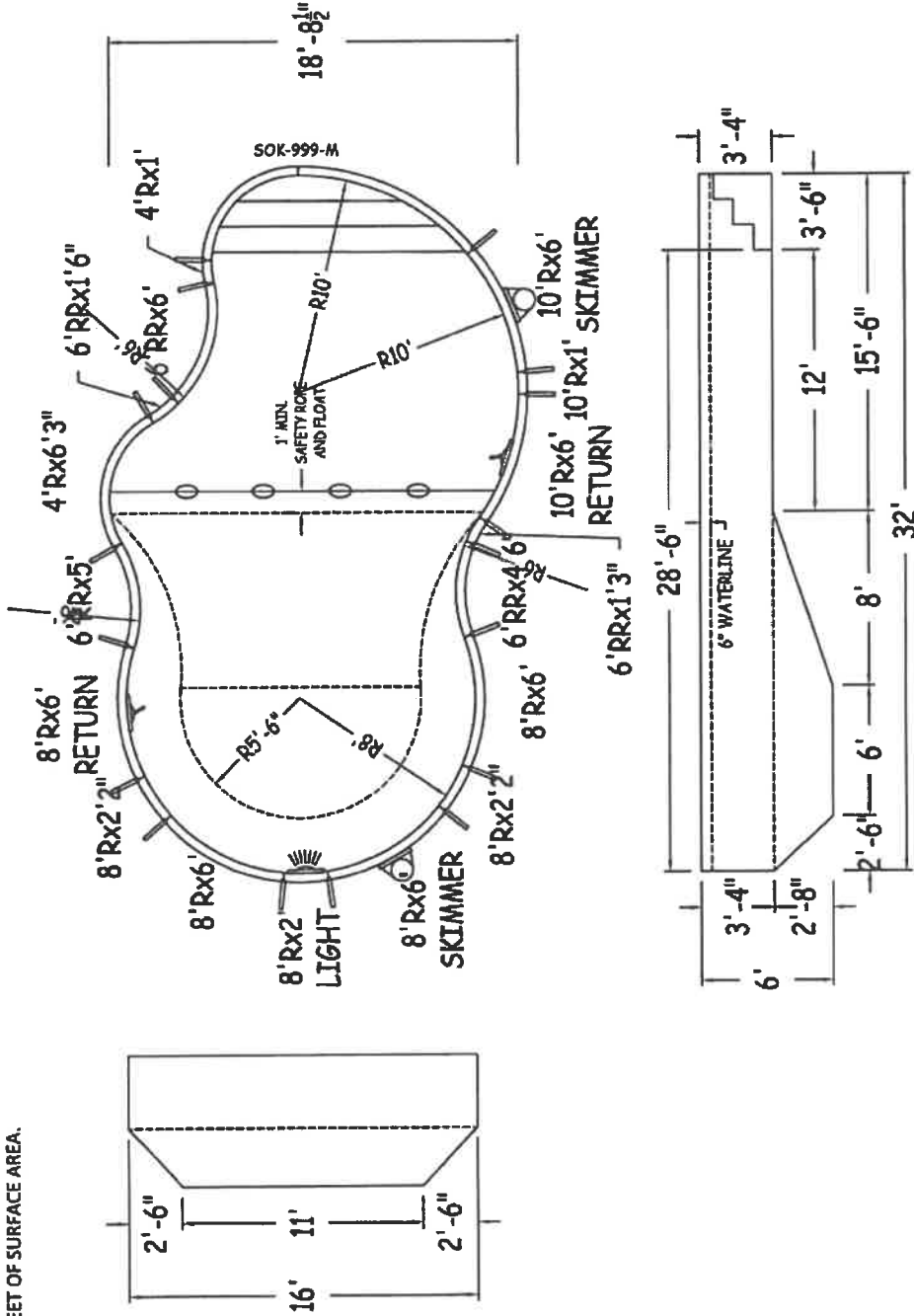
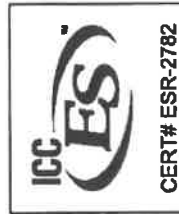


IN ACCORDANCE WITH ANSI/APSP/ICC-5 2011, THE INSTALLER IS RESPONSIBLE FOR PLACING ONE SKIMMER FOR EVERY 800 SQUARE FEET OF SURFACE AREA AND ONE RETURN FOR EVERY 300 SQUARE FEET OF SURFACE AREA.

SAMPLE POOL SPECS



LATHAM STEEL

ODESSY 16-0 x 18-9 x 32-0 LEFT

42" STEEL PANELS	PERIMETER:	83'-11"	VOLUME (US Gal):	12300
DWG#:	SURFACE (ft²):	441	VOLUME (Liters):	46500
2022-SPL-56630	LINER (ft²):	456	DATE:	08/19/2022
KIT#:	CUSTOMKIT	761	SCALE:	1/8" = 1'-0"

ALWAYS ENTER POOL

Feet First

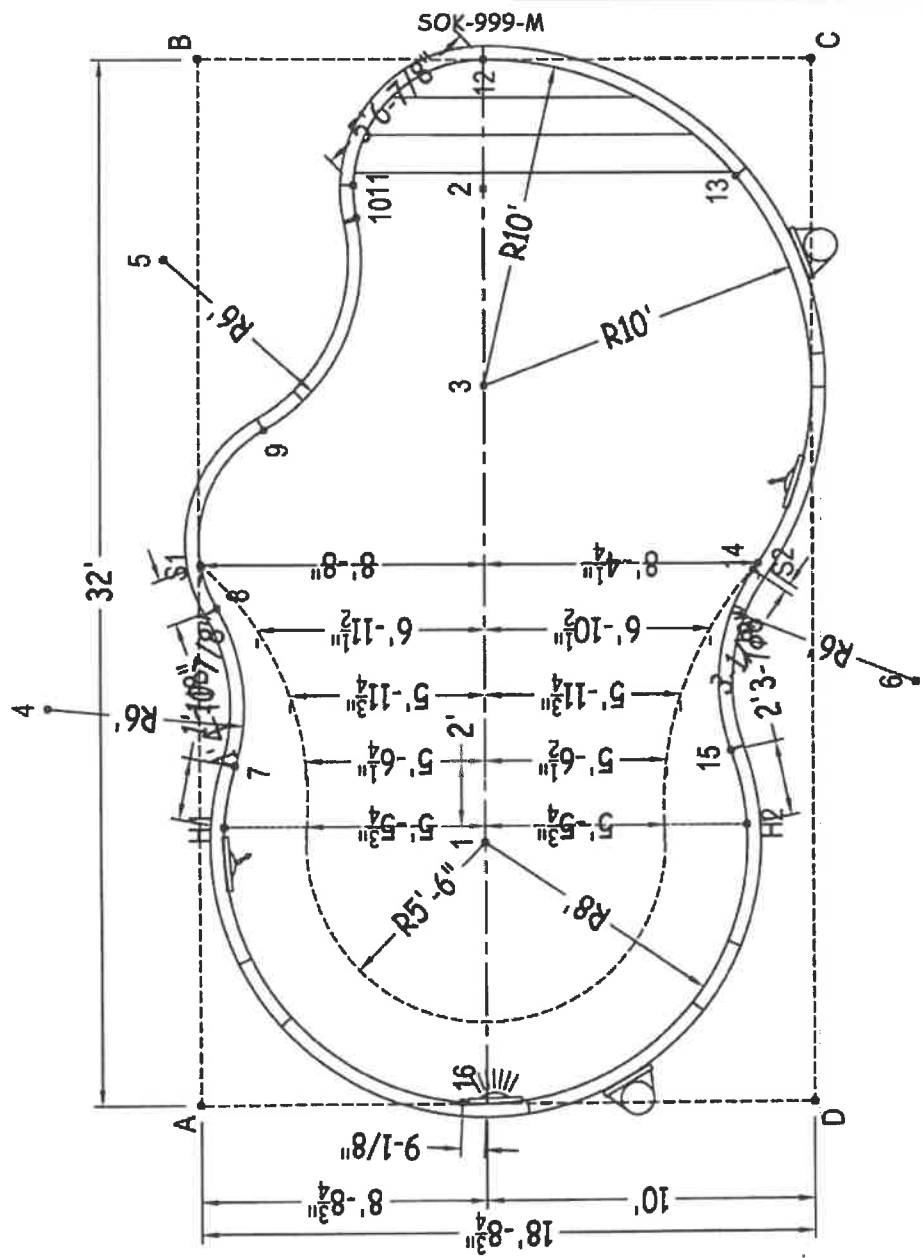
ALL ASPECTS OF THIS DRAWING COMPLIES WITH ANSI/APSP/ICC-5 2011 AND 2016 ISPSG

NON-DIVING POOL

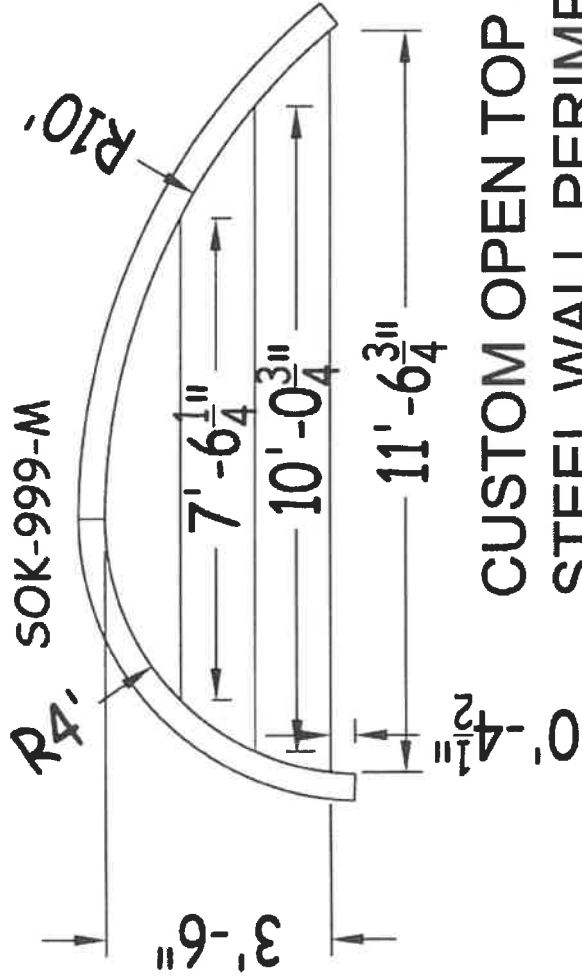
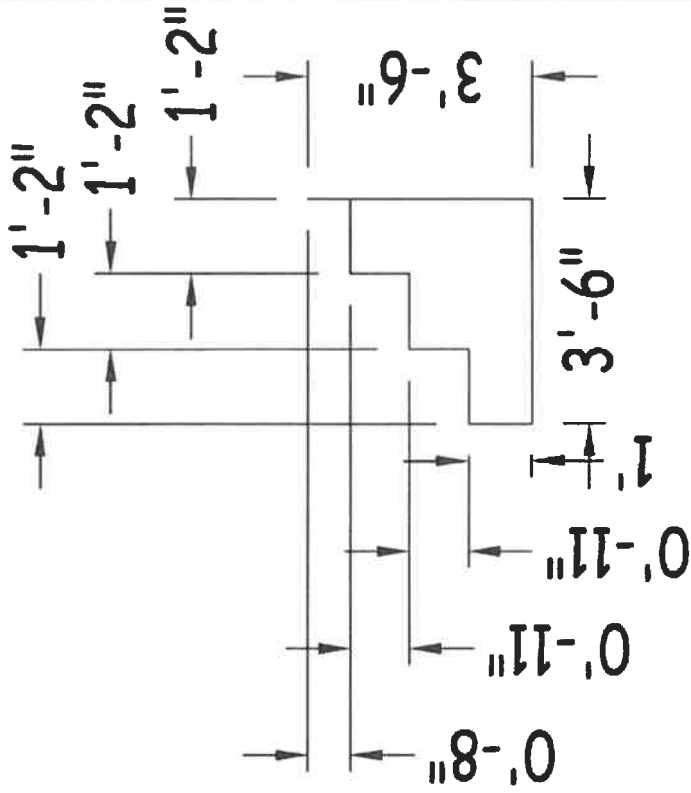
USE OF DIVING EQUIPMENT IS PROHIBITED

Part number	Description	QTY
RA0721201X	10"Rx6"	1
RA0721201*	10"Rx6" SKIMMER	1
RA0121200X	10"Rx1"	1
RA0720961*	8"Rx6" SKIMMER	1
RA0720961*	8"Rx6" RETURN	2
RA0720961X	8"Rx6"	1
RA0260960X	8"Rx2"	2
RA0240960*	8"Rx2" LIGHT	1
RA0120480X	4"Rx1"	1
RR0720721X	6"RRx6"	1
RR0600721X	6"RRx5"	1
RR0540721X	6"RRx4"	1
RR0180720X	6"RRx16"	1
RR0150720X	6"RRx13"	1
CN0750481X	4"Rx6"	1
Brace	Brace	18
IPC-STKPK25	REBAR STAKE 18" 25PC	2
IPC-HDWSTRT150	BOLT STR 3/8-16X1" CW NUT 150PC	2
SOK-999-M	CUSTOM OPEN TOP STEEL STEP	1

Center To Center	3 to 6	16'-0"	7 to 9	10'-3 3/4"	8 to 13	20'-8"	10 to 12	6'-3"	12 to 15	22'-6 1/4"
1 to 2	20'-0"	14'-1 3/4"	7 to 10	17'-2"	8 to 14	16'-5 1/4"	10 to 13	11'-8"	12 to 16	31'-11 3/4"
1 to 3	14'-0"	26'-6"	7 to 11	18'-1 1/2"	8 to 15	16'-3 1/2"	10 to 14	16'-3"	13 to 14	12'-1 1/4"
1 to 4	14'-0"	26'-3 3/4"	7 to 12	22'-11 1/4"	8 to 16	16'-10 1/4"	10 to 15	19'-11 1/4"	13 to 15	17'-7 1/4"
1 to 5	20'-4"	Diagonals	7 to 13	23'-7 3/4"	9 to 10	7'-1"	10 to 16	27'-3 1/4"	13 to 16	29'-7"
1 to 6	14'-0"	S1 to S2	7 to 14	16'-11"	9 to 11	7'-11 1/2"	11 to 12	5'-6 3/4"	14 to 15	5'-6 3/4"
2 to 3	6'-0"	H1 to H2	7 to 15	15'-1 3/4"	9 to 12	13'-2 1/2"	11 to 13	11'-8 1/2"	14 to 16	18'-6 3/4"
2 to 4	20'-8 3/4"	S1 to H1	7 to 16	12'-5"	9 to 13	16'-4 1/2"	11 to 14	17'-0"	15 to 16	13'-5 3/4"
2 to 5	10'-0"	S2 to H2	8 to 9	5'-8"	9 to 14	15'-6 3/4"	11 to 15	20'-9 3/4"		
2 to 6	20'-1/2"	S1 to H2	8 to 10	12'-8 1/2"	9 to 15	17'-4"	11 to 16	28'-3 1/4"		
3 to 4	16'-7 1/4"	H1 to S2	8 to 11	13'-7 1/4"	9 to 16	21'-5 1/2"	12 to 13	8'-6"		
3 to 5	10'-5 3/4"	7 to 8	8 to 12	18'-8 1/2"	10 to 11	11'-0"	12 to 14	17'-8 3/4"		



	A	B	C	D
1	11'-10"	25'-6 1/2"	26'-0"	12'-9 3/4"
2	29'-4"	9'-7 1/4"	10'-9 1/4"	29'-8 3/4"
3	23'-8"	13'-3 1/4"	14'-1 3/4"	24'-2"
4	13'-1/4"	20'-4 1/2"	30'-8"	26'-4"
5	25'-10 1/4"	6'-3"	20'-8 1/2"	32'-6 1/4"
6	25'-4 1/4"	29'-3/4"	19'-4 3/4"	13'-2 3/4"
7	10'-5 1/4"	21'-7 3/4"	27'-11"	20'-5 1/2"
8	15'-2 1/4"	16'-10"	24'-9 1/4"	23'-8 1/4"
9	20'-9"	11'-6 1/4"	20'-2 3/4"	26'-7"
10	27'-6 3/4"	6'-10 1/4"	14'-8 3/4"	30'-5 3/4"
11	28'-6 1/4"	6'-1 1/2"	14'-6 1/4"	31'-5"
12	33'-2"	8'-8 3/4"	10'-0"	33'-6 1/4"
13	32'-9 1/2"	16'-10"	4'-3 1/2"	28'-5 3/4"
14	23'-6"	23'-1 1/4"	15'-9 3/4"	16'-4 1/2"
15	19'-5 3/4"	26'-8 3/4"	21'-4 1/2"	11'-3/4"
16	7'-11 1/2"	32'-11 1/4"	33'-8 3/4"	10'-9 1/4"
S2	23'-9"	23'-3/4"	15'-7"	16'-7"
S1	16'-6"	15'-6"	24'-3 1/4"	24'-11"
H2	18'-9"	28'-10"	23'-7"	8'-8 3/4"
H1	8'-6 1/2"	23'-6 1/4"	29'-7"	19'-10 3/4"
A	-	32'-0"	37'-1"	18'-8 3/4"



CUSTOM OPEN TOP STEEL STEP
 STEEL WALL PERIMETER= 14'11-3/8"
 TOTAL SURFACE AREA= 29.03 SQ.FT