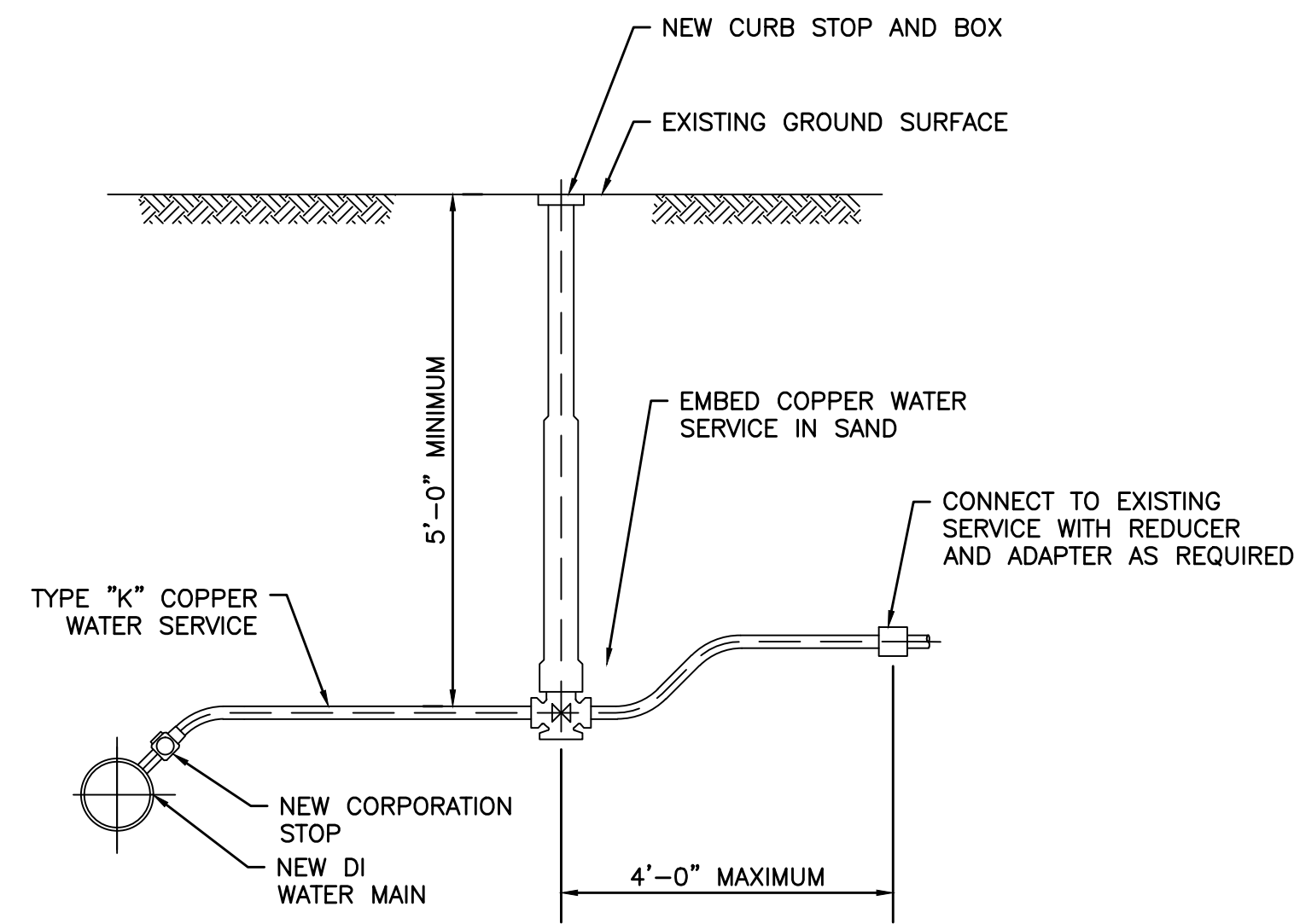
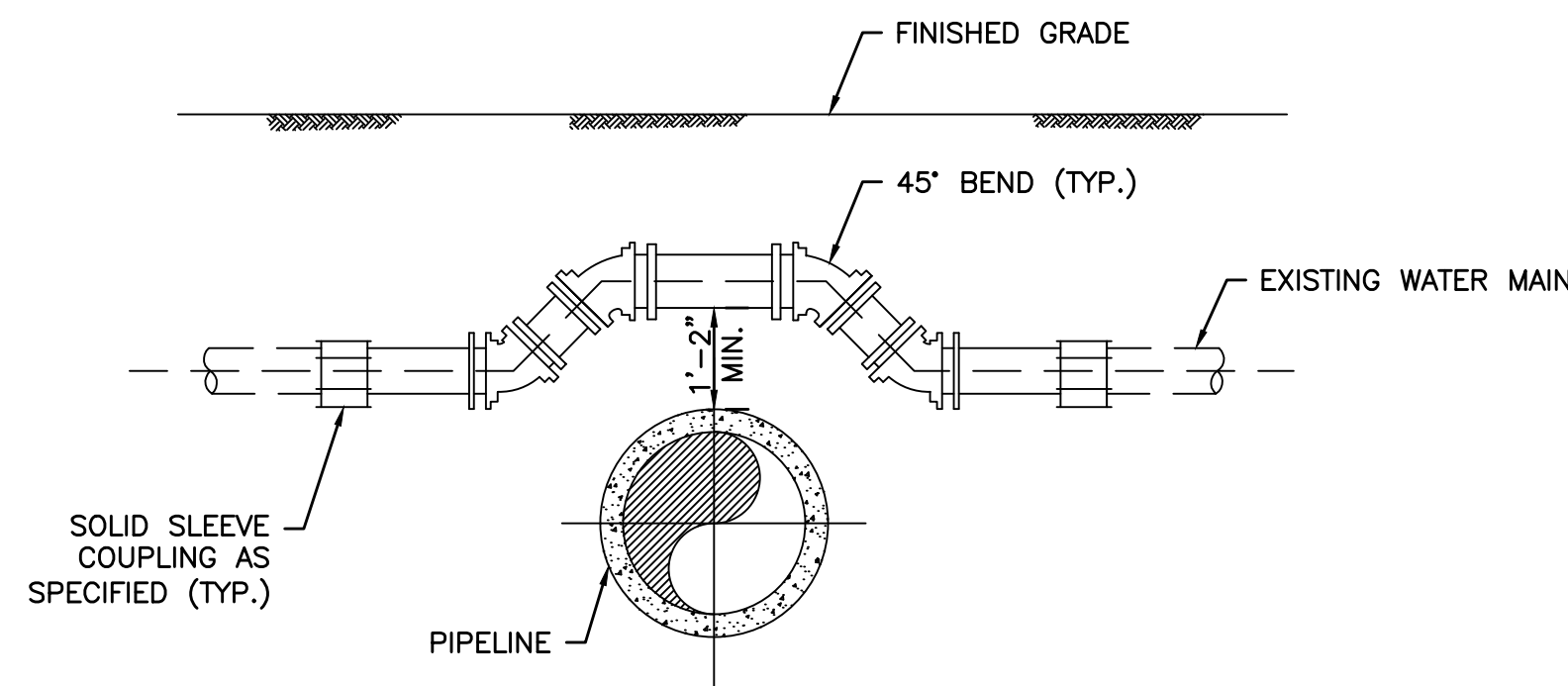


- NOTES:
 1. BASE SHALL NOT BEAR ON WATER PIPE.
 2. PIPE JOINTS SHALL BE A MINIMUM OF 10 FT. AWAY IN BOTH DIRECTIONS FROM CENTER OF AIR RELEASE VALVE.
 3. TWO PIPE JOINTS SHALL BE RESTRAINED IN ALL DIRECTIONS OF AIR RELEASE VALVE.

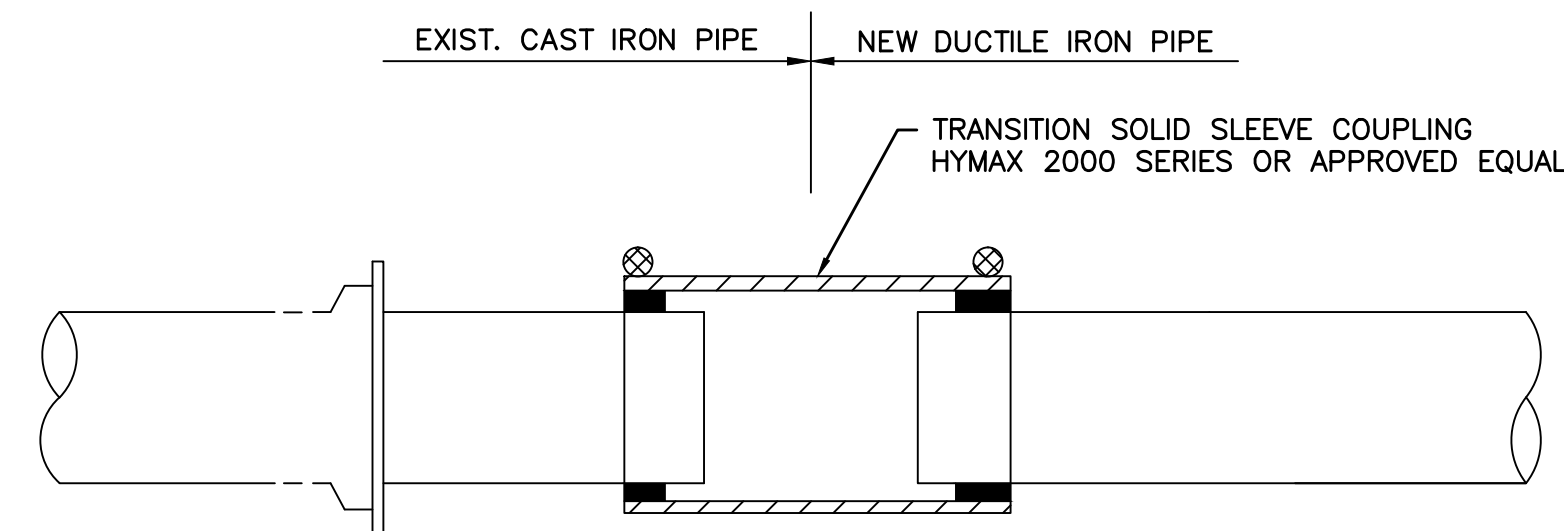


**NEW WATER SERVICE CONNECTION
 REPLACING EXISTING SERVICE**
 NTS



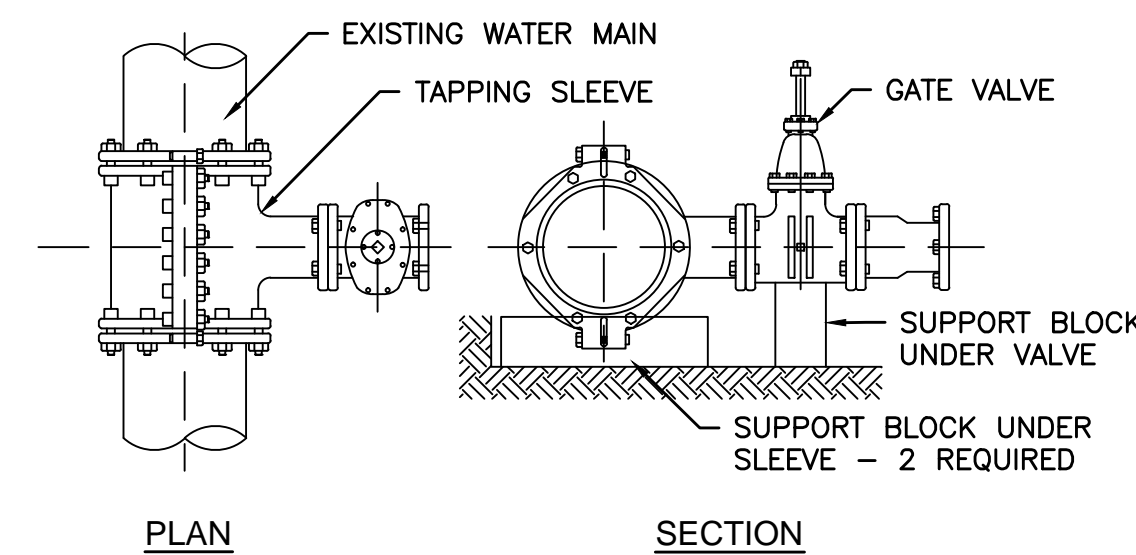
- NOTES:
 1. FOR SEWER CROSSINGS, RELOCATE MAIN ABOVE SEWER (WHERE POSSIBLE) AND PROVIDE 18" MINIMUM CLEARANCE.
 2. INSULATE WATER MAIN IF LOCATED WITH LESS THAN 5' OF COVER.

RELOCATION OF EXISTING WATER MAIN DETAIL
 NTS



- NOTES:
 1. CONTRACTOR SHALL VERIFY PIPE SIZE AND MATERIAL PRIOR TO ORDERING COUPLING AND RESTRAINT.
 2. CONTRACTOR SHALL FOLLOW MANUFACTURER'S INSTRUCTIONS FOR INSTALLATIONS.

**NEW DUCTILE IRON TO EXISTING CAST IRON
 WATER MAIN SOLID SLEEVE COUPLING**
 NTS



- NOTES:
 1. SUPPORT BLOCKS TO BE PRESSURE TREATED WOOD OR CONCRETE MASONRY BLOCK.

TAPPING SLEEVE WITH GATE VALVE
 NTS

REV. NO.	DATE	DRWN	CHKD	REMARKS

SURVEYED BY: J. SMITH
 DRAWN BY: J. SMITH
 DESIGNED BY: J. SMITH
 SHEET CHK'D BY: J. SMITH
 APPROVED BY: J. SMITH
 DATE: MONTH YEAR



TOWN OF DANVERS
 ENGINEERING DIVISION
 1 BURROUGHS STREET
 DANVERS, MASSACHUSETTS 01923
 TEL: (978)-777-2668

TOWN OF DANVERS
 DEPARTMENT OF PUBLIC WORKS
 DANVERS, MASSACHUSETTS
 PROJECT NAME

STANDARD WATER DETAILS

CONTRACT NO. XXXX-XX
 SHEET NO.