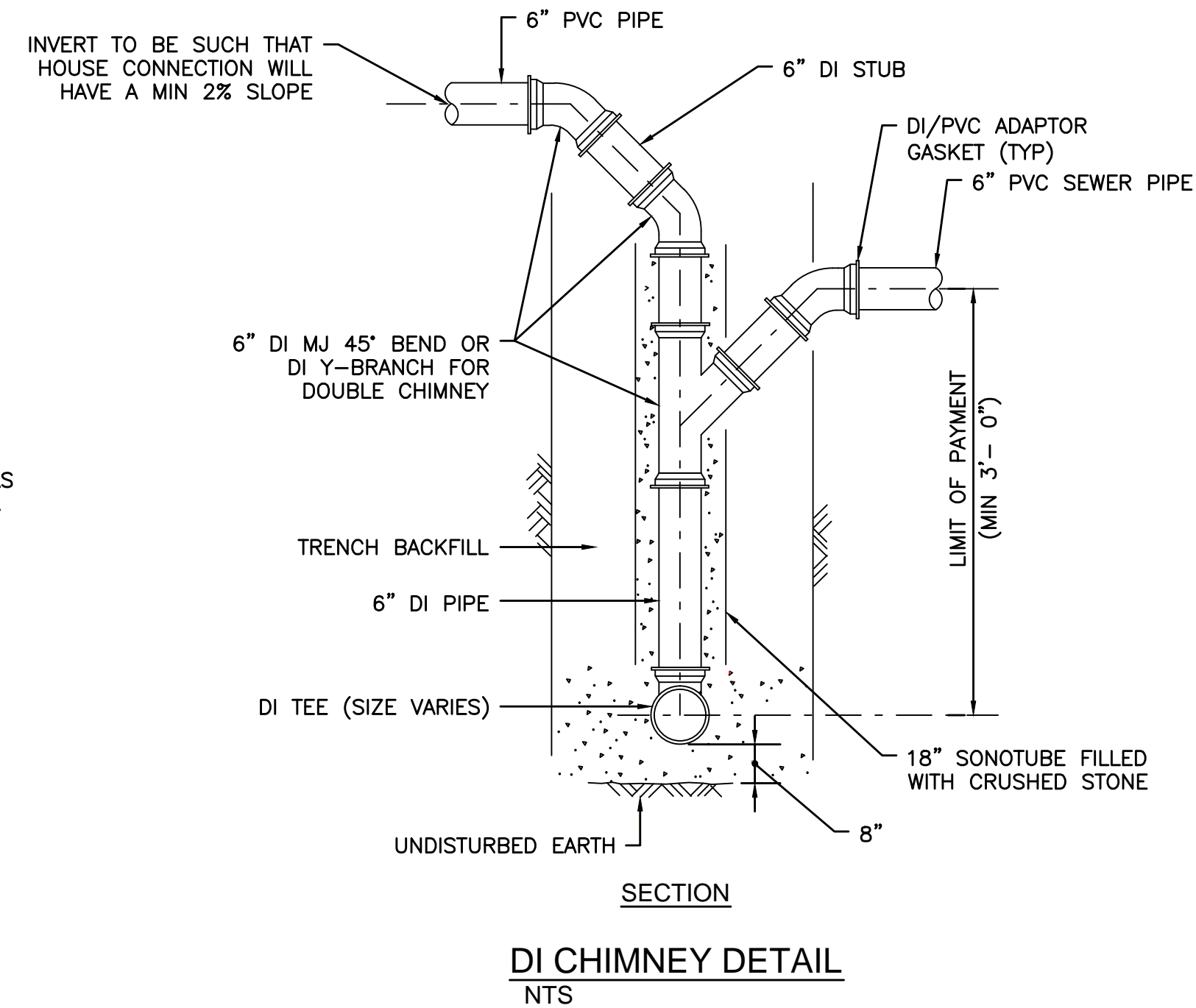
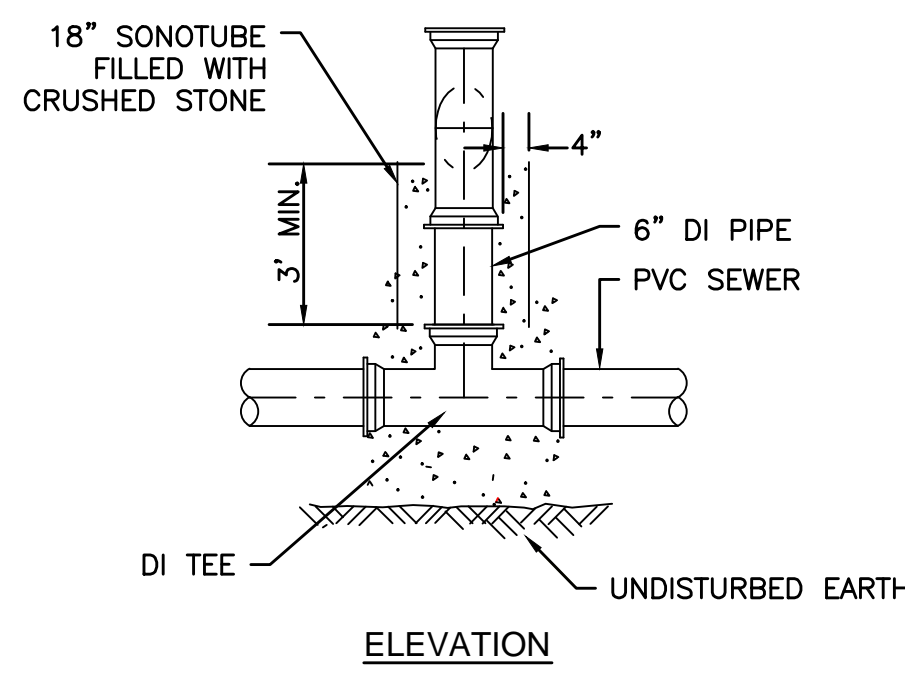
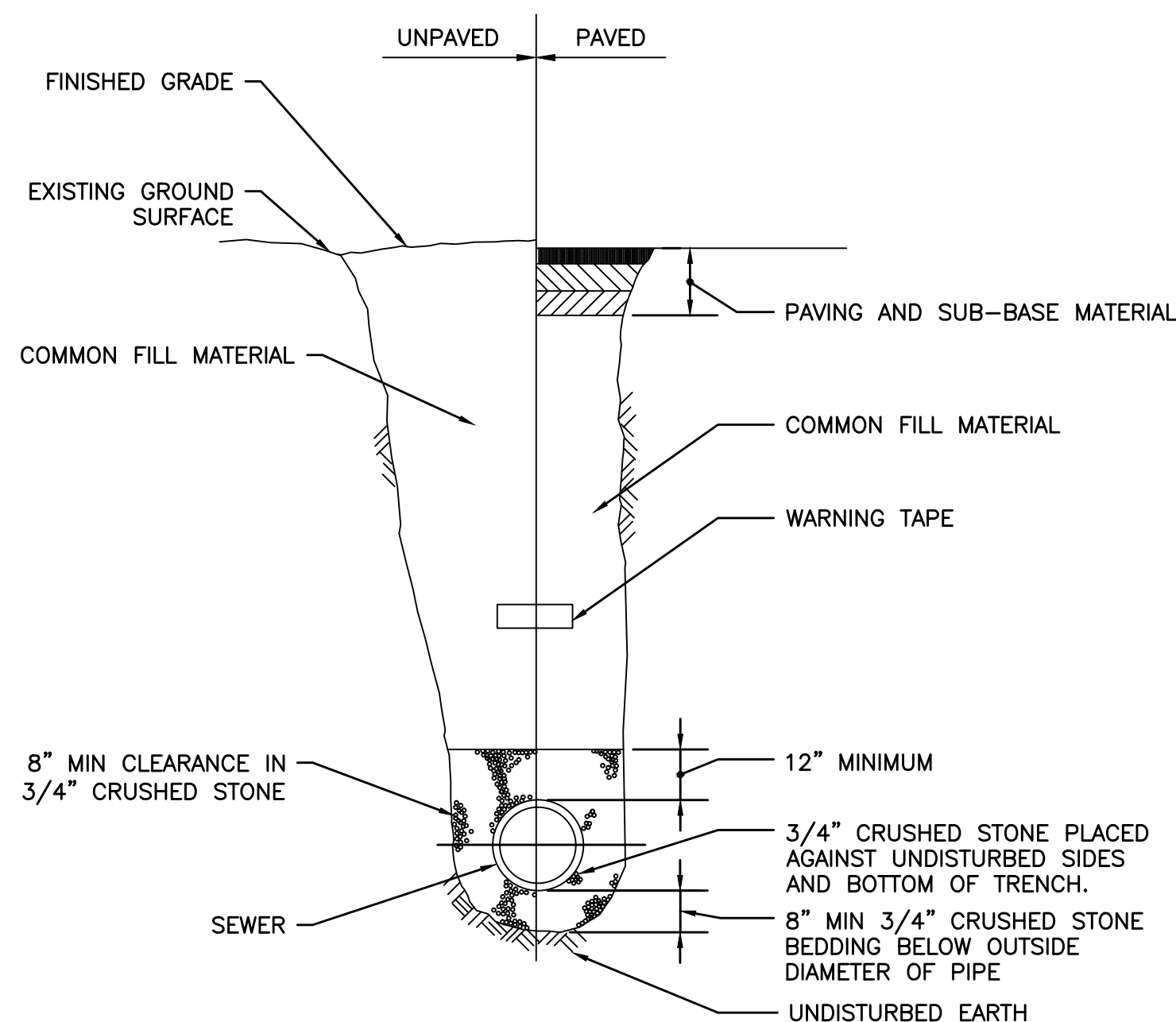


TYPICAL PRECAST SEWER MANHOLE  
NTS

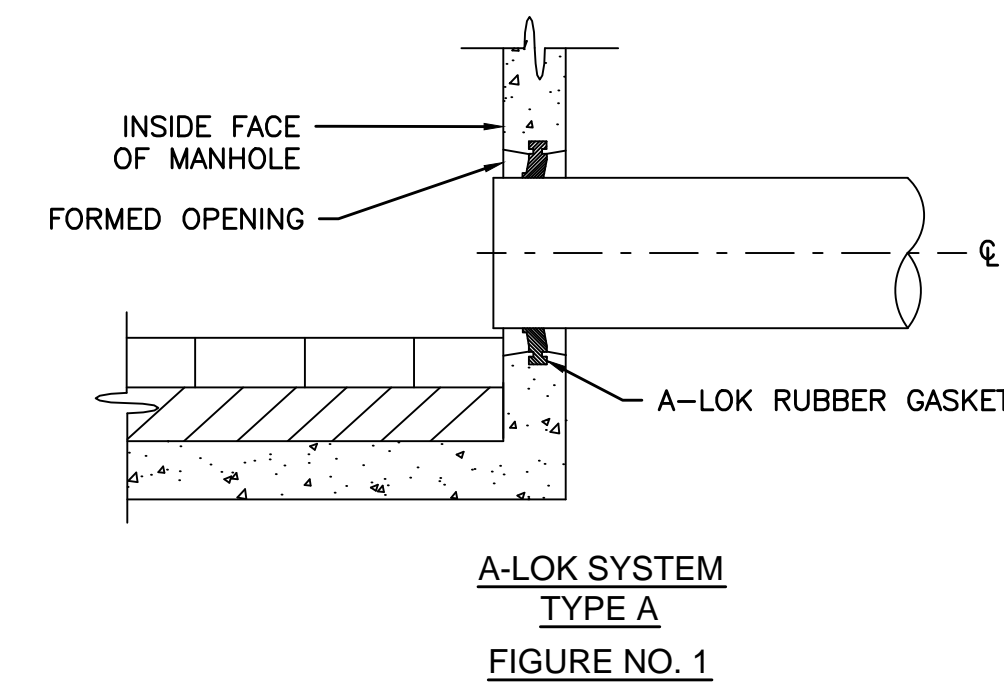


DI CHIMNEY DETAIL  
NTS

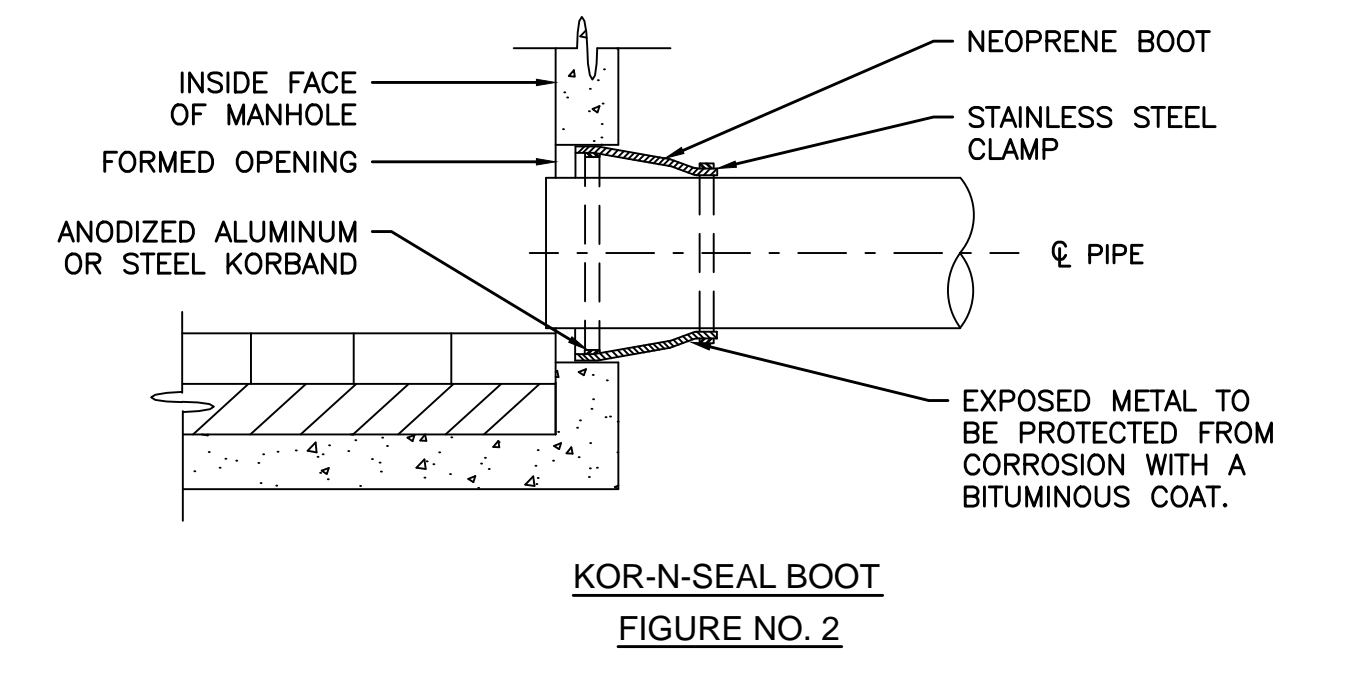


- NOTES:
- TRENCHES LOCATED ON THE ROAD SHOULDER SHALL BE TREATED THE SAME AS STREET EXCEPT FOR PAVING

SEWER TRENCH DETAIL  
NTS



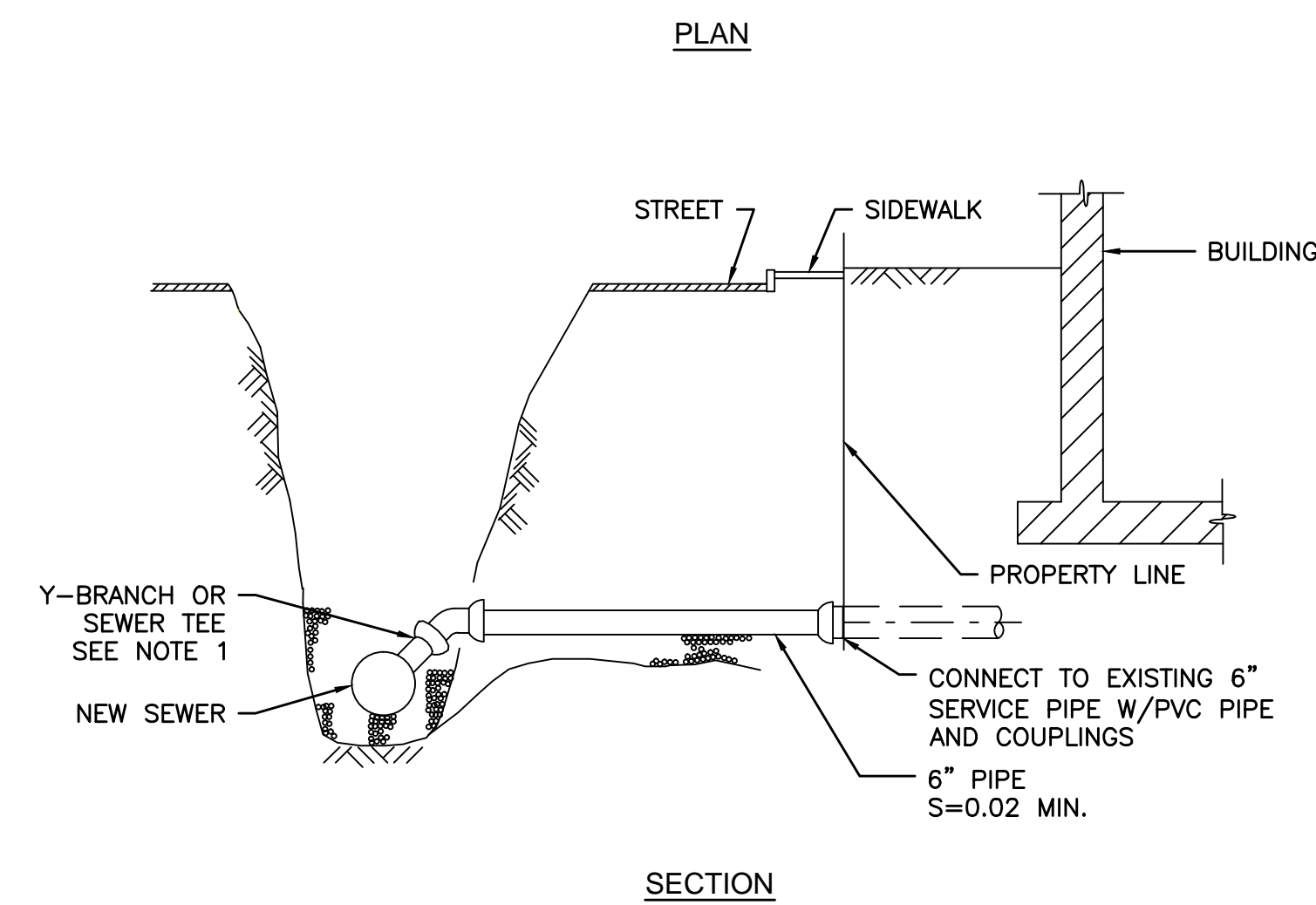
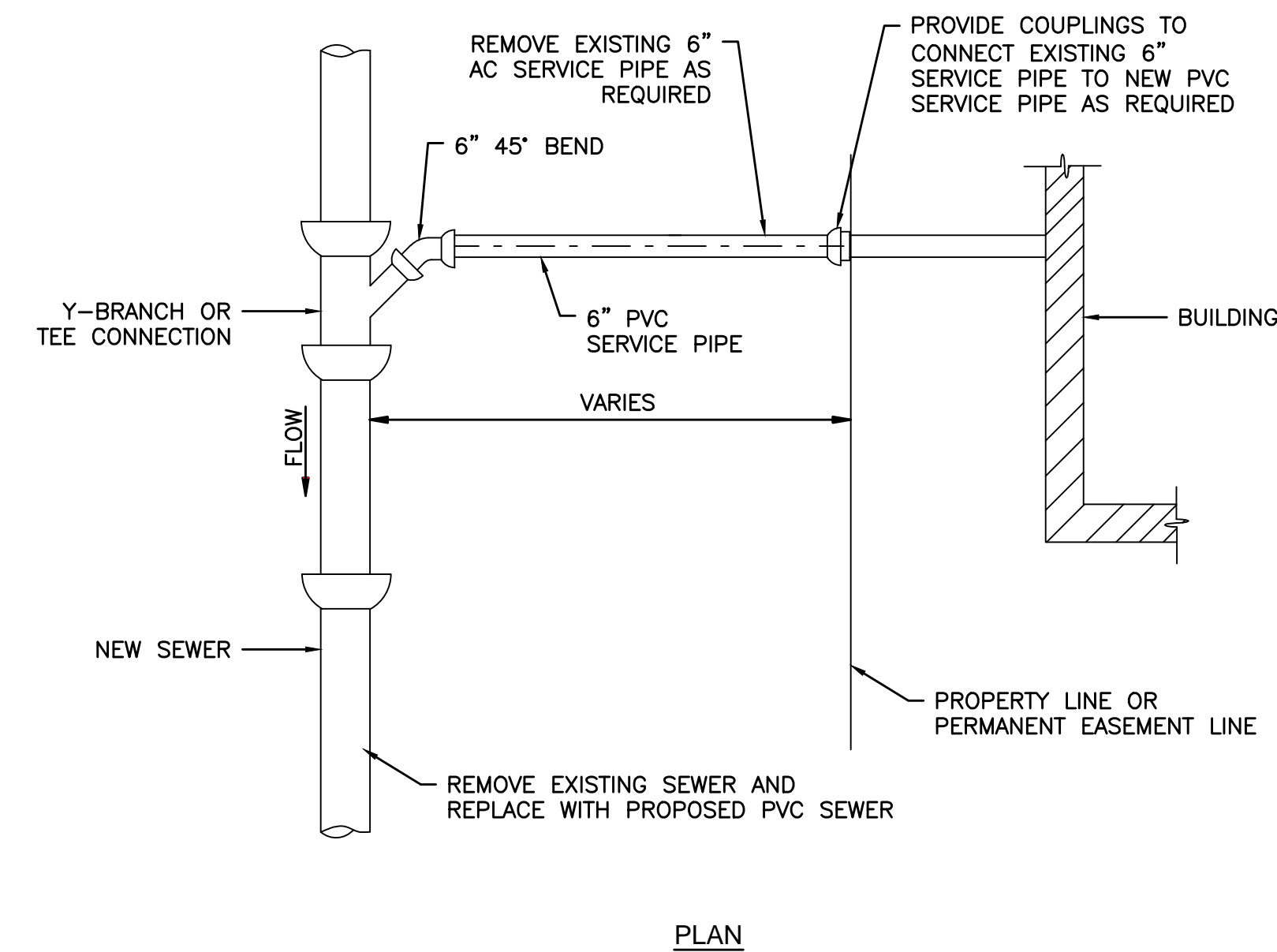
A-LOK SYSTEM  
TYPE A  
FIGURE NO. 1



KOR-N-SEAL BOOT  
FIGURE NO. 2

- NOTES:
- ALTERNATE MANHOLE PIPE CONNECTIONS SHALL BE SUBMITTED TO THE ENGINEER FOR APPROVAL.

MANHOLE PIPE CONNECTION DETAILS  
NTS



- NOTES:
- EXISTING SEWER TO BE ABANDONED AS SPECIFIED IN SECTION 01170.
  - SEE SEWER CHIMNEY CONNECTION DETAIL WHERE CHIMNEY CONNECTIONS ARE REQUIRED.

SEWER SERVICE CONNECTION DETAIL  
NTS

REV. NO.	DATE	DRWN	CHKD	REMARKS

SURVEYED BY: J. SMITH  
 DRAWN BY: J. SMITH  
 DESIGNED BY: J. SMITH  
 SHEET CHK'D BY: J. SMITH  
 APPROVED BY: J. SMITH  
 DATE: MONTH YEAR



TOWN OF DANVERS  
 ENGINEERING DIVISION  
 1 BURROUGHS STREET  
 DANVERS, MASSACHUSETTS 01923  
 TEL: (978)-777-2668

TOWN OF DANVERS  
 DEPARTMENT OF PUBLIC WORKS  
 DANVERS, MASSACHUSETTS  
 PROJECT NAME

STANDARD SEWER DETAILS

CONTRACT NO. XXXX-XX  
 SHEET NO.